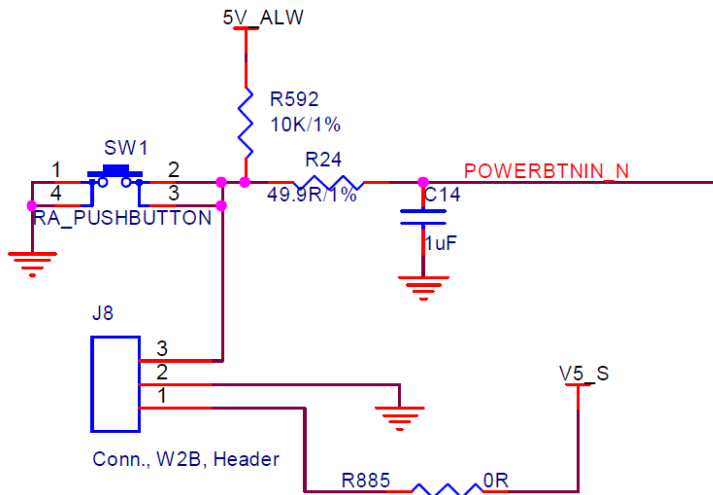


15-Apr-2020

## fitet2 application note - remote power button

### Schematics

### Power on/off



### Pinout of remote power button connector J8

Pin #1: Power indicator LED

Pin #2: GND

Pin #3: Remote power button switch, normally open

Remote power button should short circuit pins 2 and 3 to implement power button press.