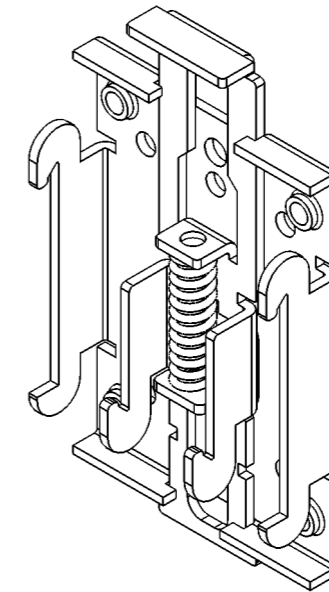
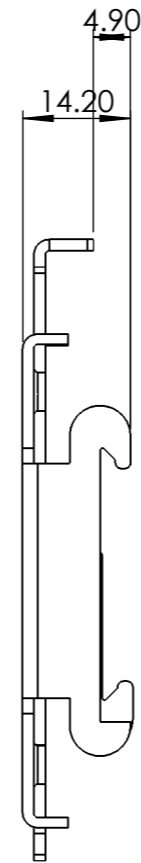
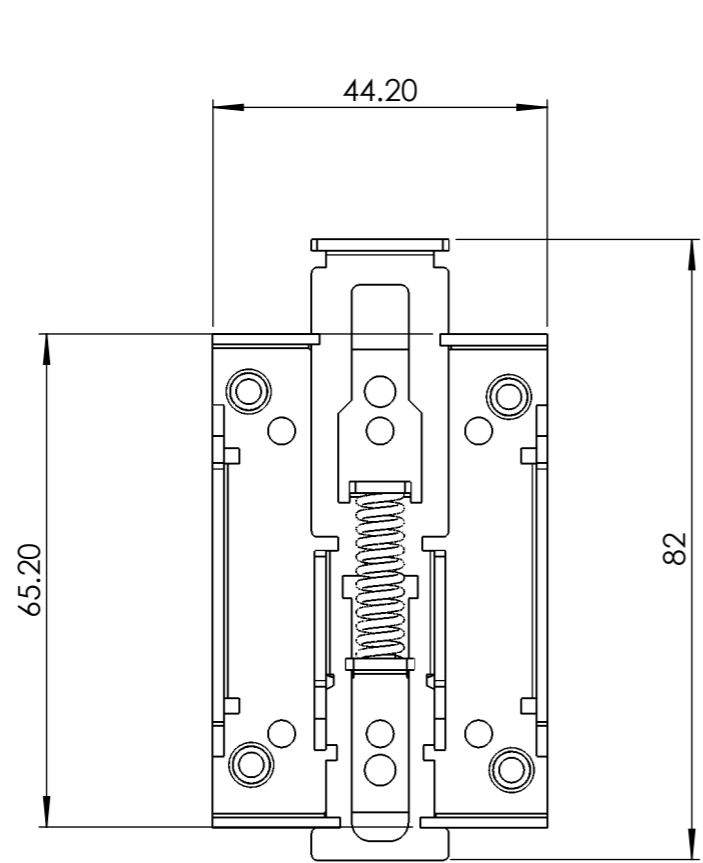



REV.	DESCRIPTION	DATE	APPROVED
1.0	RELEASED FOR PRODUCTION	07/02/2018	Irada S.



UNLESS OTHERWISE SPECIFIED DIMENSIONS ARE IN mm	PROJECT: Fitlet2			17 Hayetsira St. Yokneam Illit, Israel Tel: +972-48-290-100 Fax: +972-48-325-251 www.fit-iot.com email:mechanical@fit-iot.com		
	USE DIMENSIONS ONLY- DO NOT SCALE <b>REFER TO 3D MODEL</b>	DWG	Ilan B	25-08-19	TITLE <b>206F10100 -Mounting bracket, DIN Rail Clip, Steel</b>	
GENERAL TOLERANCE:	DSGN	Ilan B	25-08-19	DRAWING / P.N.		
	LINEAR: ±0.2 RADIUS: ±0.1 ANGLES: ±0.5° BTWN HOLE CENTERS ±0.1	CHKD	Irada S			25-08-19
	APPVD	Irada S	25-08-19	SCALE 1:1	SIZE A3	
	1st. ANGLE PROJECTION 